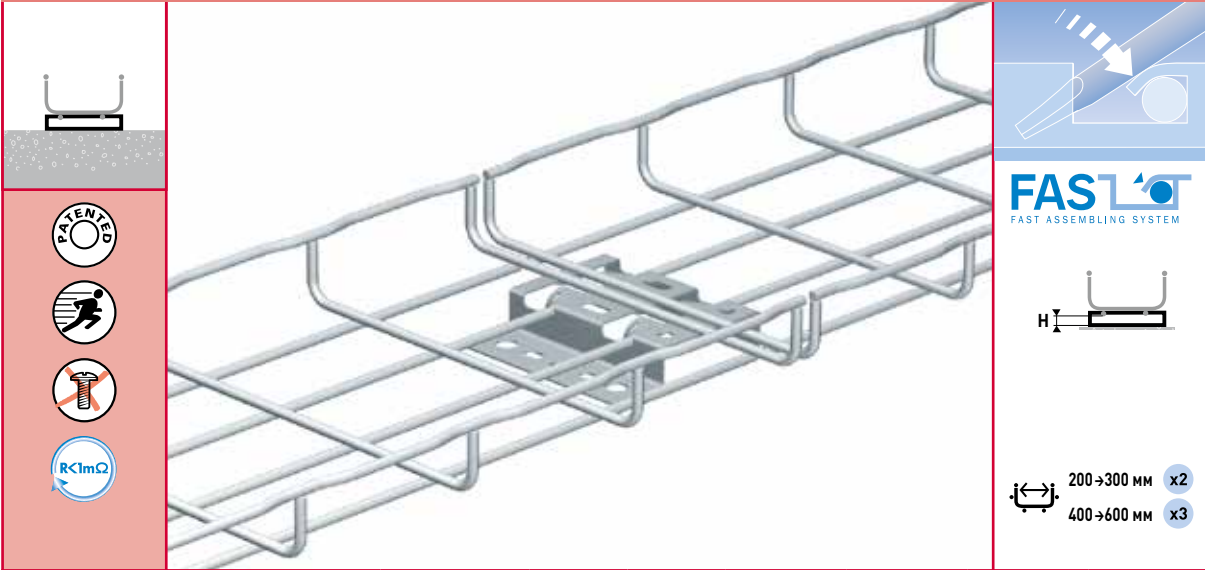
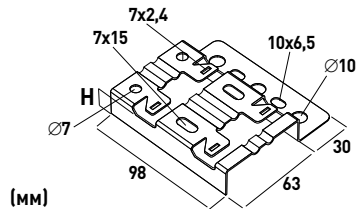




R15 – R25 – R35 – R15/300 **CF30 → CF150** **100 → 600 MM**

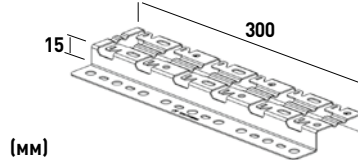


R15 – R25 – R35



	H MM	FL daN	GS	DC	304L	316L
R15	15	100	CM 586 170	CM 586 173	-	CM 586 174
R25	25	100	CM 586 640	CM 586 647	-	-
R35	35	50	CM 586 650	CM 586 657	-	-

R15/300

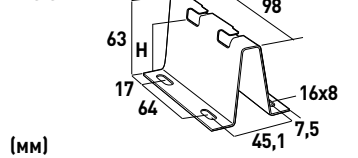


R15/300	15	100	CM 586 610	CM 586 617	-	-
---------	----	-----	------------	------------	---	---

R55 **CF30 → CF150** **100 → 600 MM**



R55



	H MM	FL daN	GS	DC	304L	316L
R55	55	150	CM 586 080	CM 586 083	-	CM 586 084