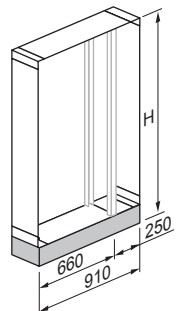
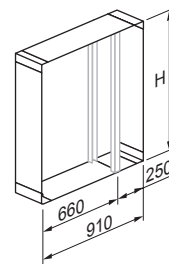
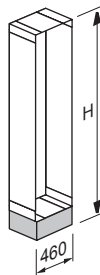
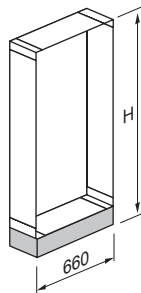
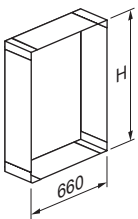
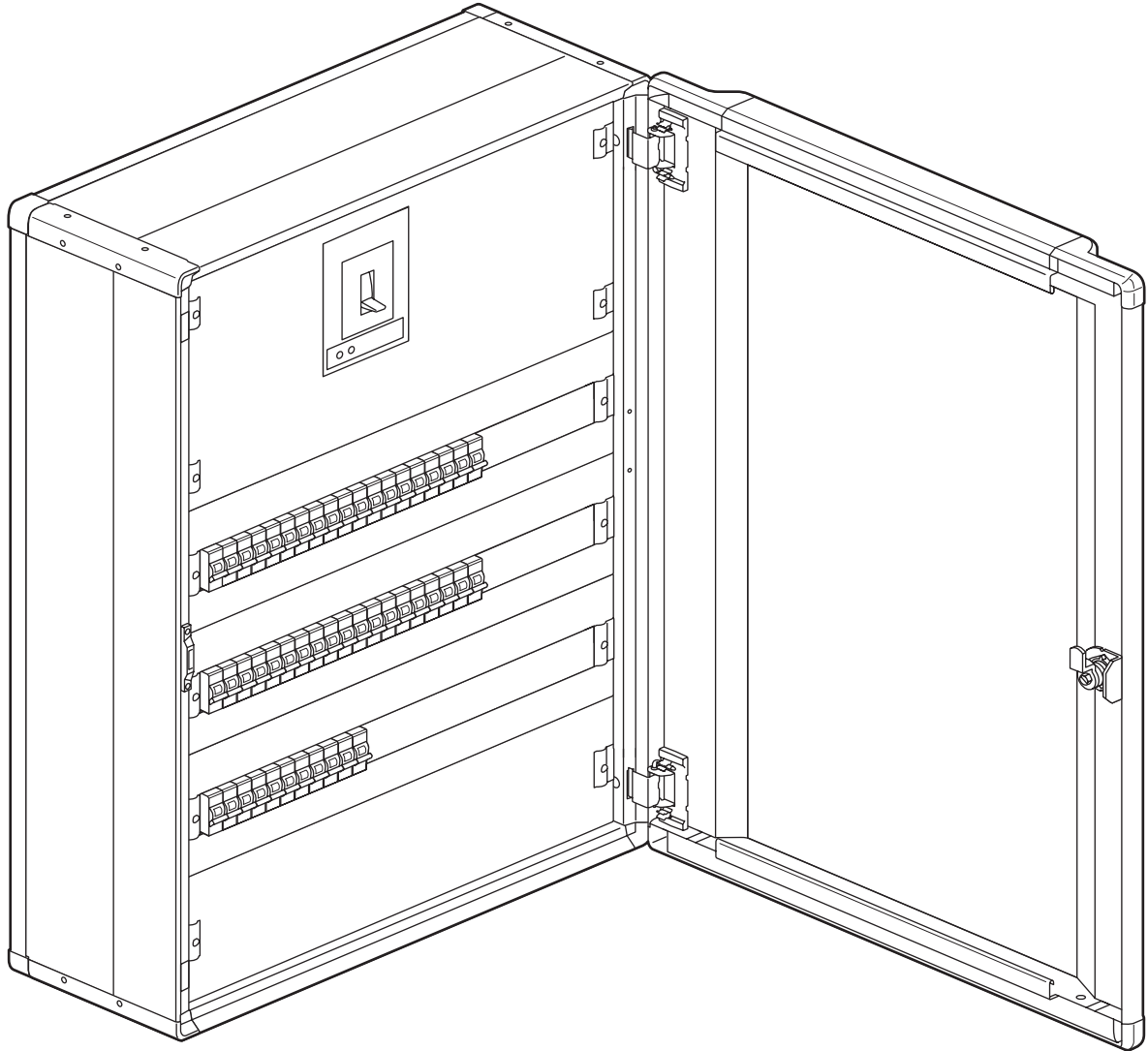


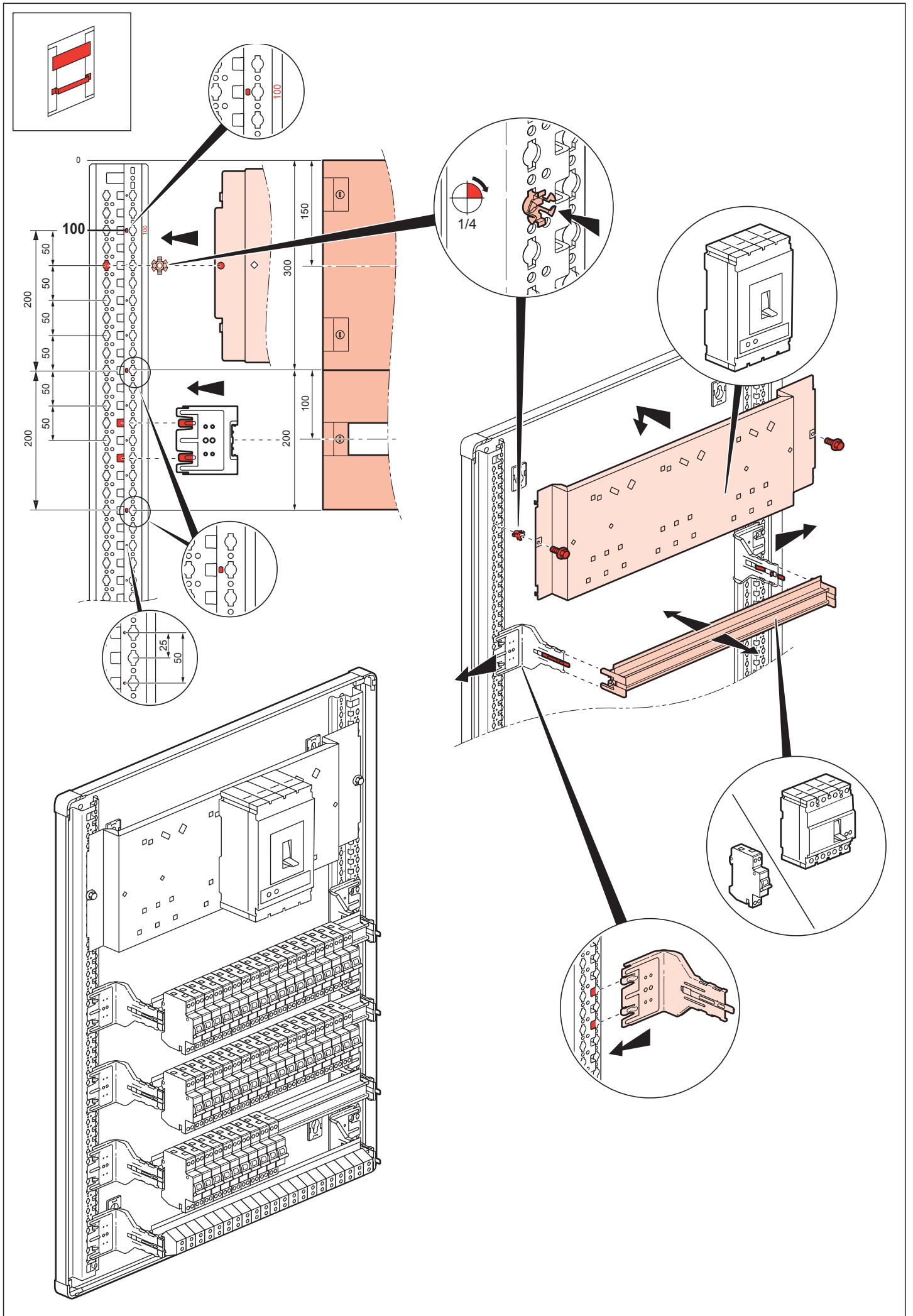
XL<sup>3</sup> 800

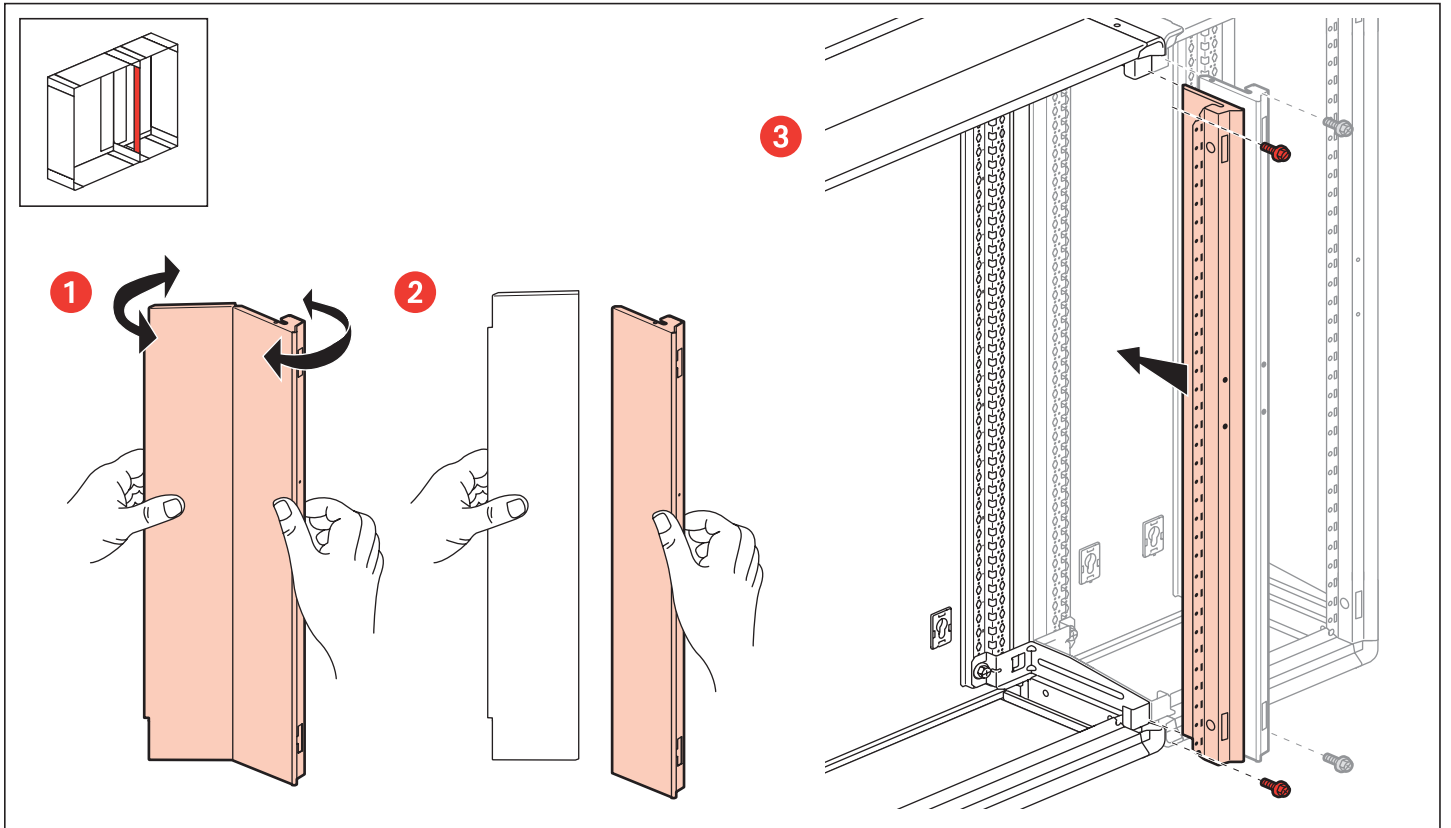
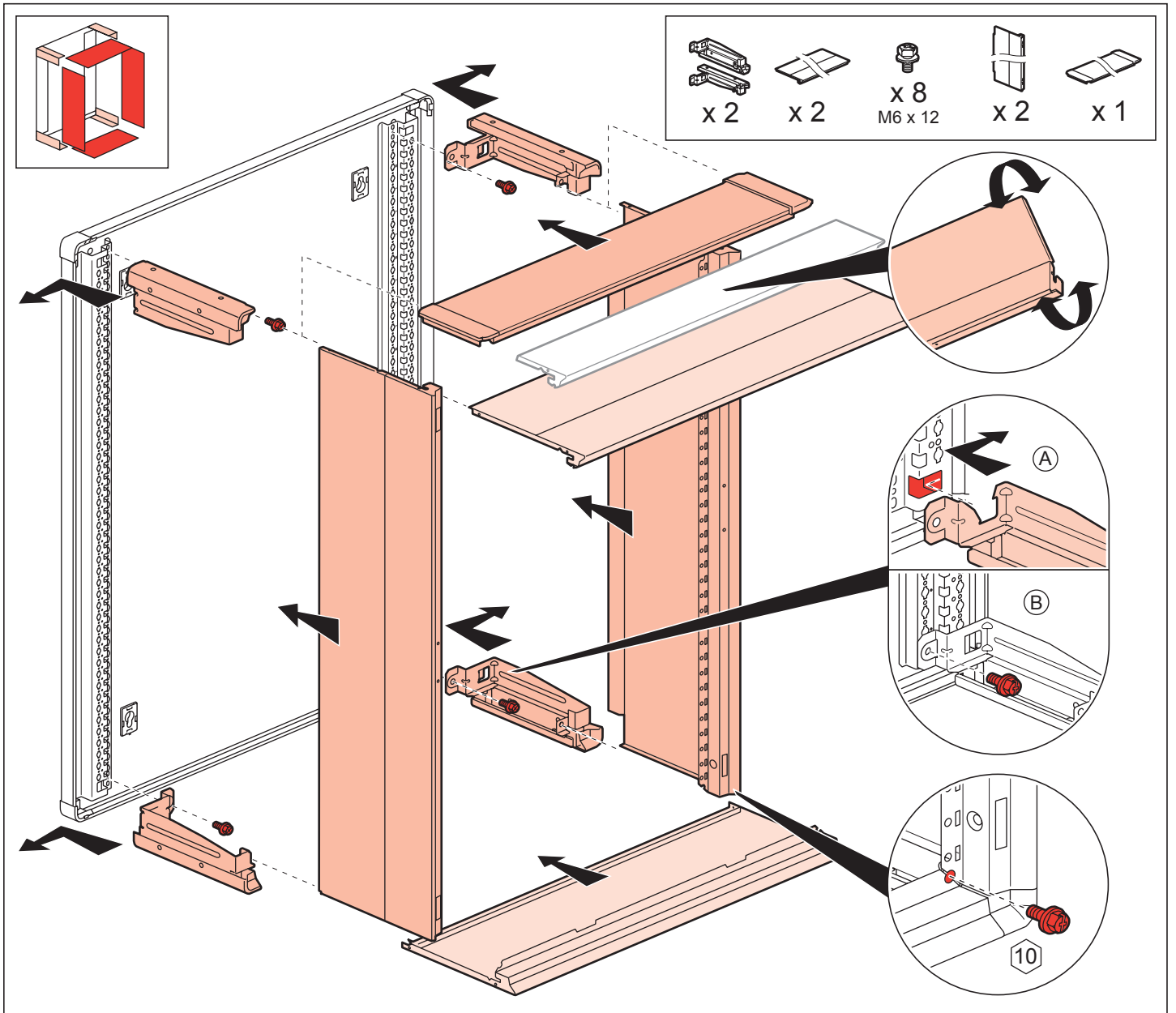
204 01/02/03/04/06/07/08/09/23/24

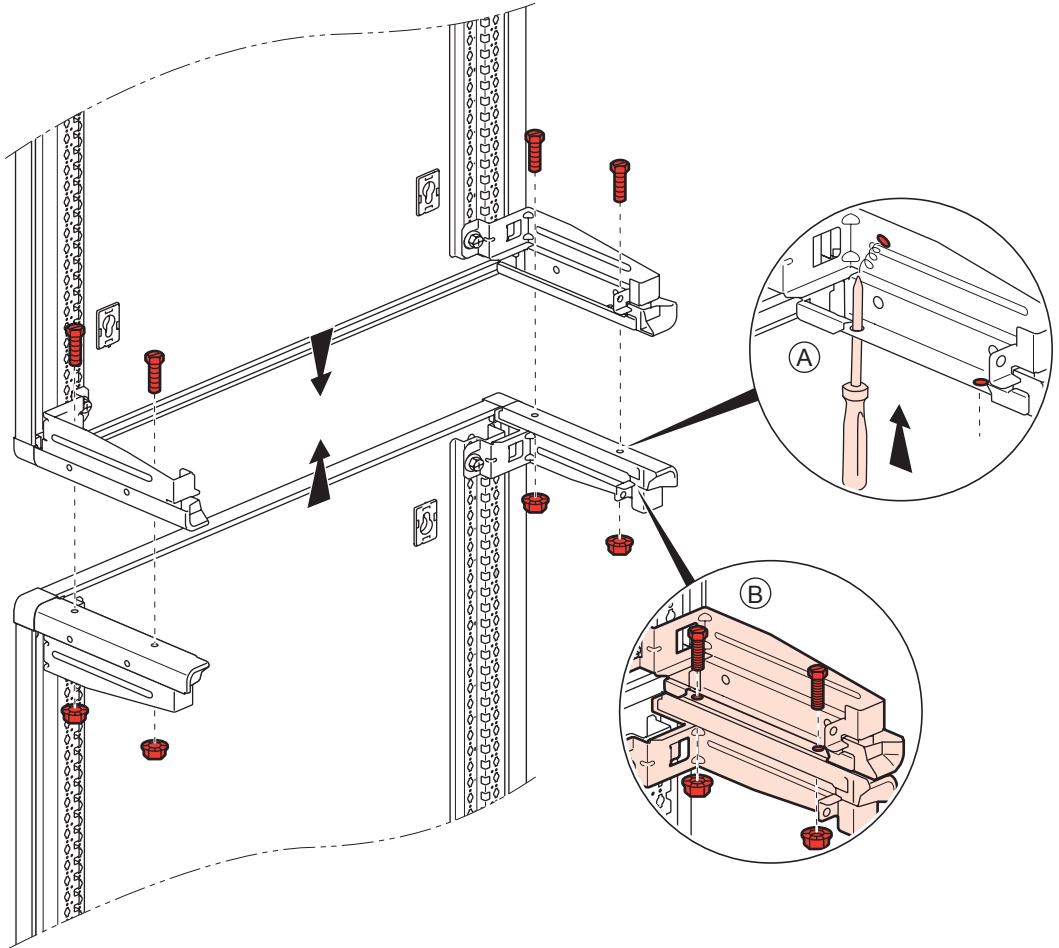
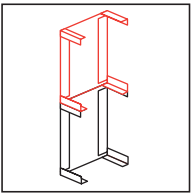
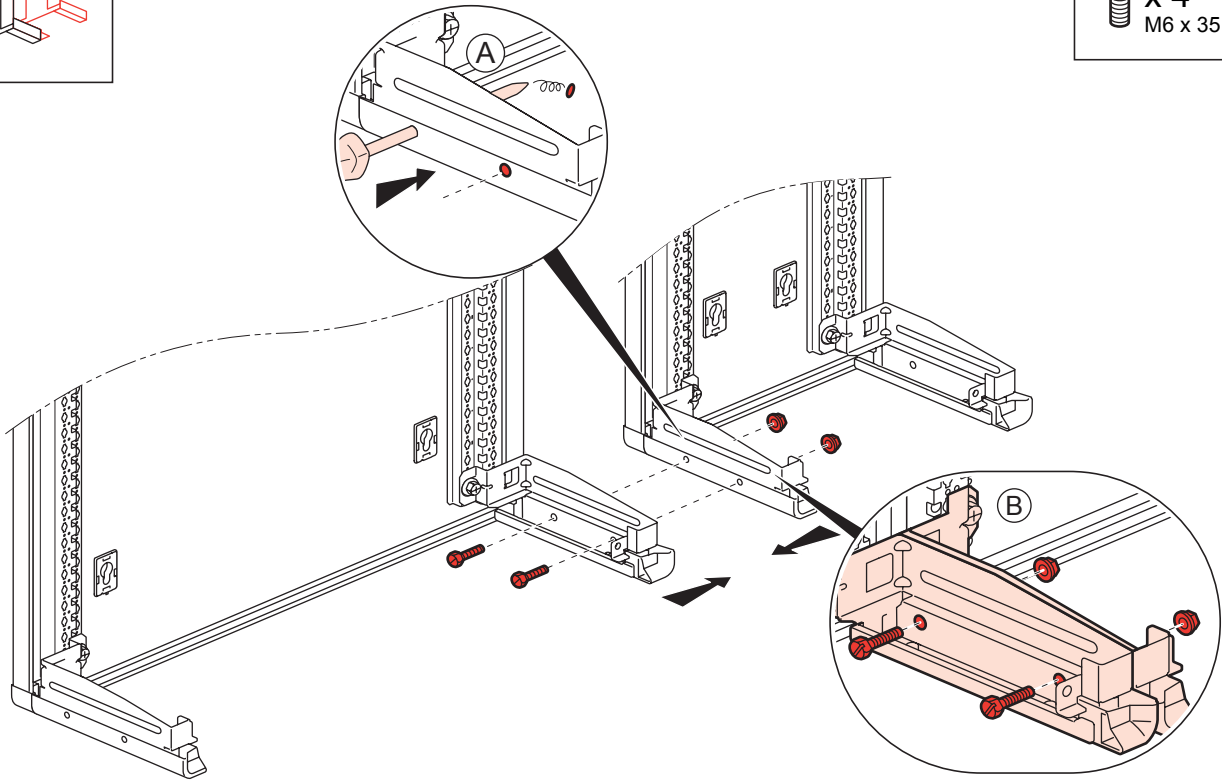
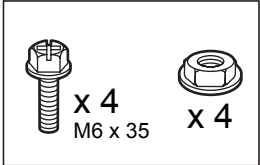
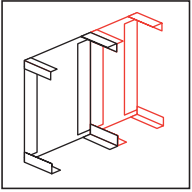


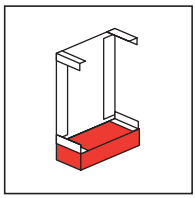
H (mm)	art.	H (mm)	art.	H (mm)	art.	H (mm)	art.	H (mm)	art.
1050	20401					1050	20406		
1250	20402					1250	20407		
		1550	20403	1550	20423			1550	20408
		1950	20404	1950	20424			1950	20409

E6945E

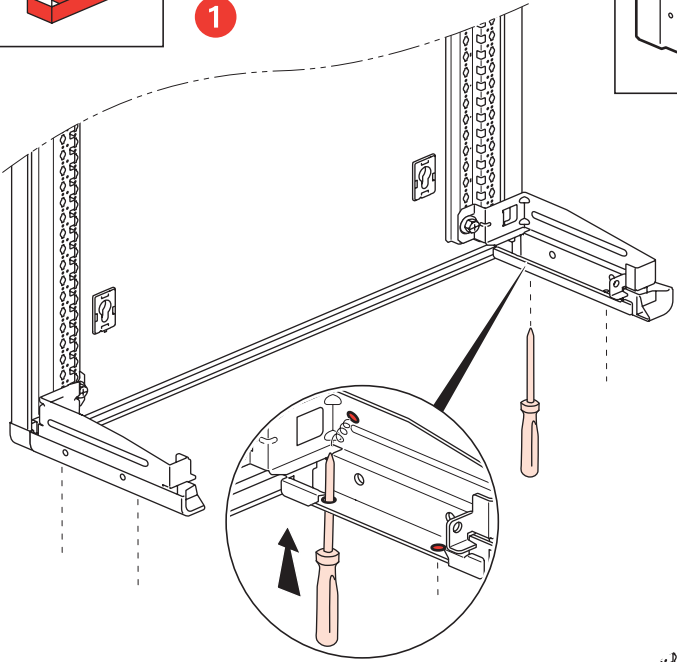
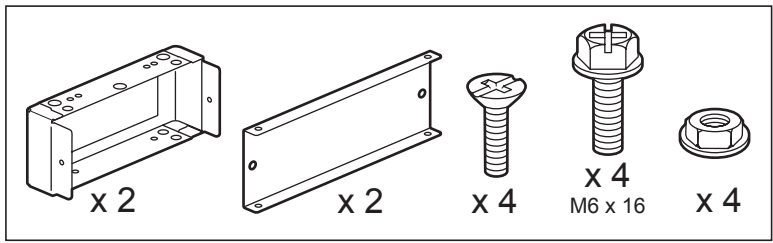




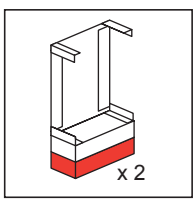
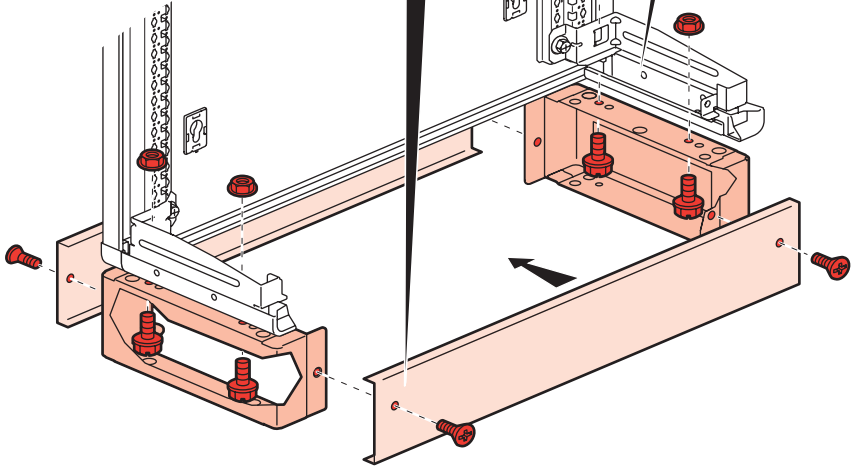
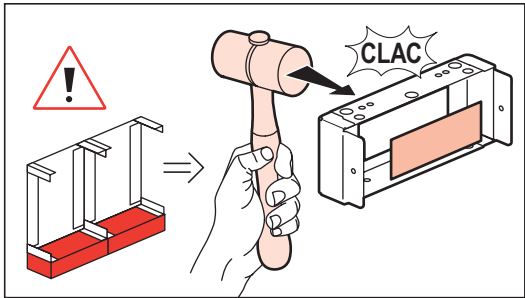
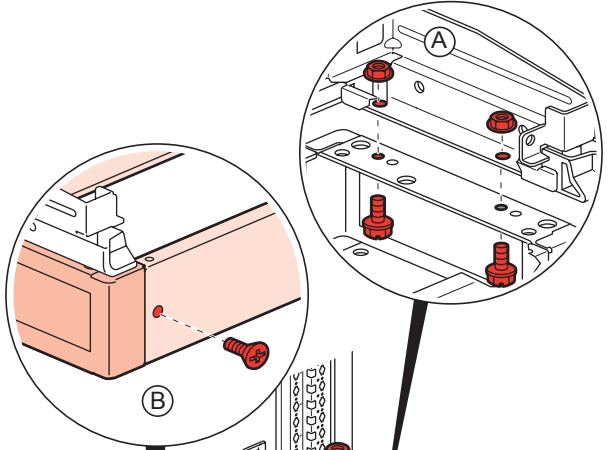




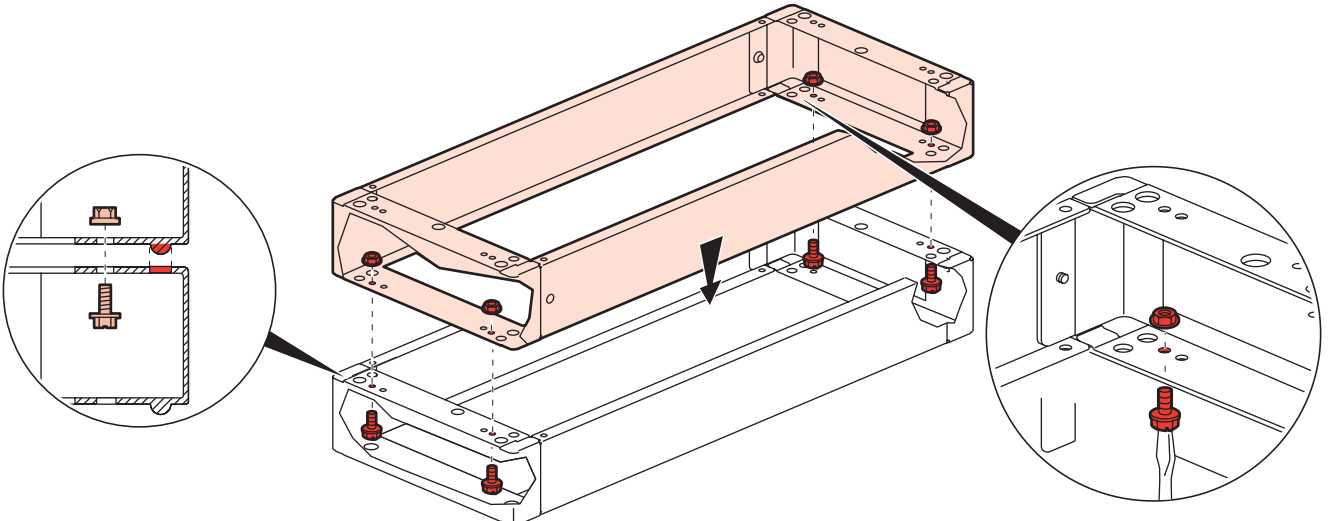
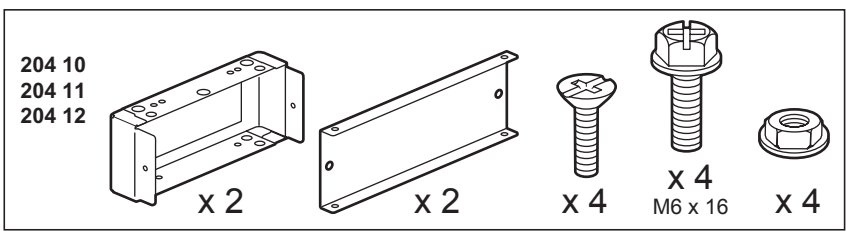
1



2



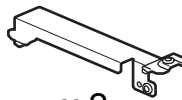
x 2



204 26/27/28/29



x 8



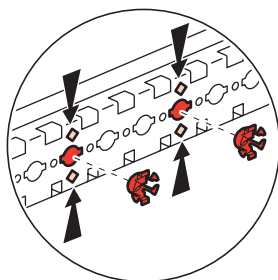
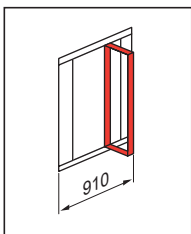
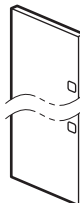
x 2



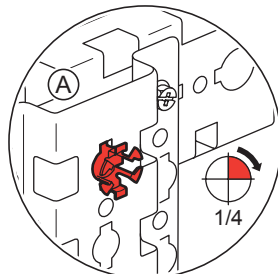
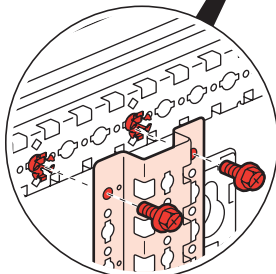
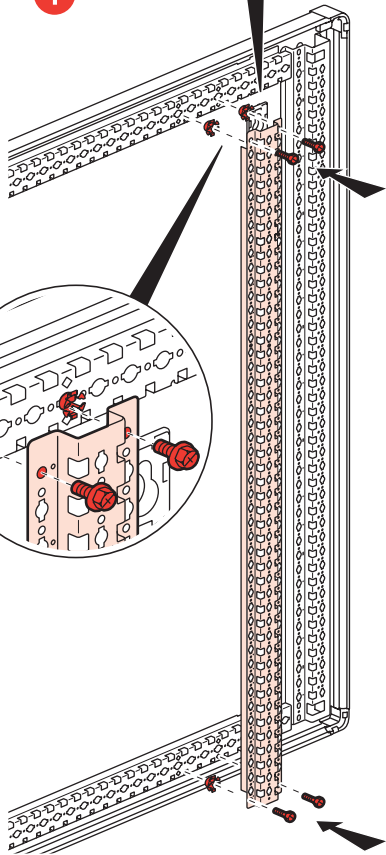
x 2



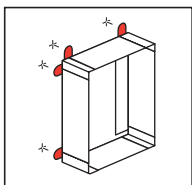
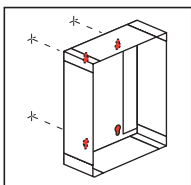
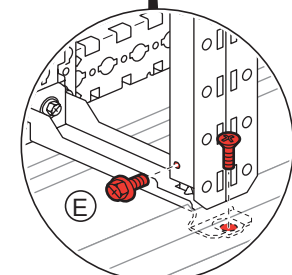
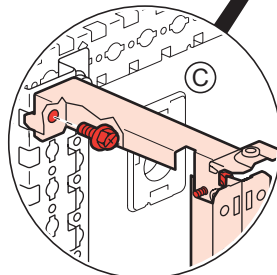
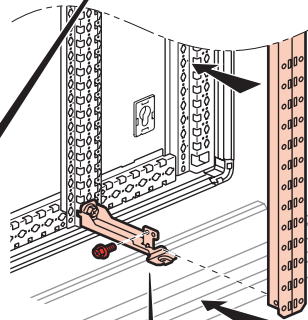
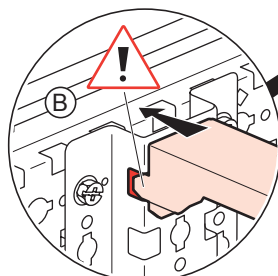
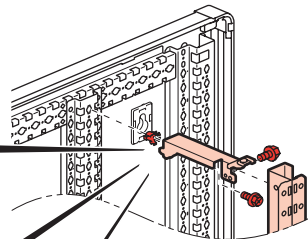
x 6



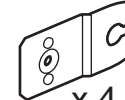
1



2



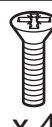
201 00



x 4



x 4



x 4

	A = 415	A = 415 B = 245 C = 215	A = 665
	D = 560	D = 560 E = 100 F = 360	D = 810
	G = 710	G = 1170	G = 960

